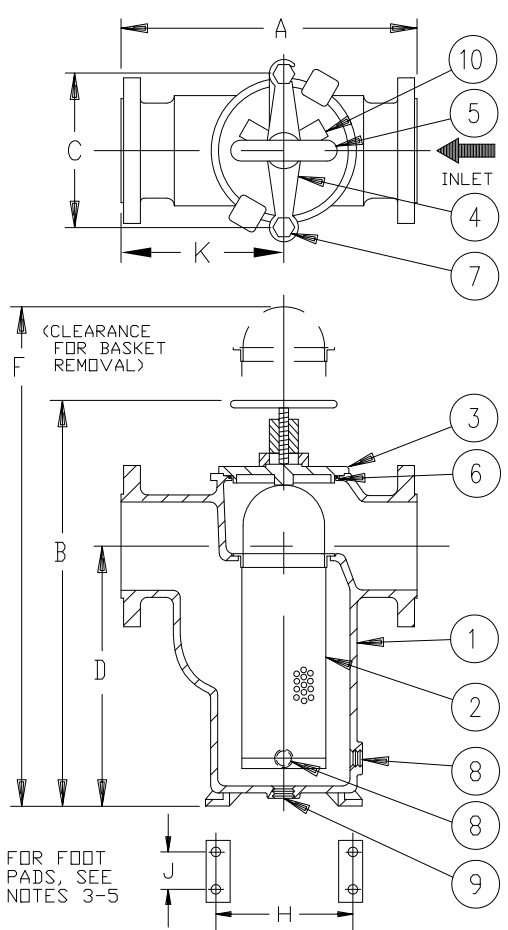


REVISIONS				
REV	DESCRIPTION	BY	ECO	DATE
G	UPDATED TITLE BLOCK	R. DHONDE	0106104	12/25/2014


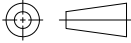


NO.	PART NAME	MATERIAL
1	BODY	CARBON STEEL A216 GR.WCB
2	SCREEN	
	PERF. DIA.	
	MESH	
3	COVER	CARBON STEEL A216 GR.WCB
4	YOKE	DUCTILE IRON
5	YOKE SCREW	STEEL
6	O-RING	BUNA-N
7	STUD	STEEL
8	DRAIN PLUG	CARBON STEEL
9	BODY PLUG	CARBON STEEL
10	COVER CLAMP	DUCTILE IRON

- NOTES:
1. INLET/OUTLET 150 LB. RAISED FACED FLANGED CONNECTIONS PER ASME B16.5 .
 2. COVER CLAMP (ITEM 10) FOR 4", 6" SIZES.
 3. 7/16"Ø SLOTTED FOOT PADS FOR SIZE 2".
 4. 1/2"Ø SLOTTED FOOT PADS FOR SIZE 3".
 5. 9/16"Ø HOLED FOOT PADS FOR SIZE 6".
 6. 9/16"Ø SLOTTED FOOT PADS FOR SIZE 4".
 7. DIMENSION "G" (NPT) IS FOR DRAIN PLUG, ITEM 8.
 8. ITEM 9, BODY PLUG IS NOT TO BE USED AS DRAIN.
 9. MAX. WORKING PRESSURE: 200 PSI @ 100° F (13.8 BAR @ 37.8° C)

ALL SIZES EXCEPT 2"
2" SIZE ONLY

PIPE SIZE (NOMINAL)	DIMENSIONS									WEIGHT (DRY) LBS. KGS.		PART NO.
	A IN. MM.	B IN. MM.	C IN. MM.	D IN. MM.	F IN. MM.	G (NOM.) IN. MM.	H IN. MM.	J IN. MM.	K IN. MM.			
2" (50mm)	10.50/268	13.75/349	6.75/172	7.63 /194	20/508	1/2 (15)	5.50/140	2.75/70	5.75/146	36 / 16	ST0720200R3C	
2-1/2"(65mm)	11.63/295	15.63/397	8.00/203	8.88/226	23/584	1/2 (15)	6.50/165	2.88/73	6.38/162	63 / 27	ST0720250R3C	
3" (80mm)	13.13/334	18.75/476	7.94/202	12.00/305	27/686	1/2 (15)	7.00/178	3.13/80	7.81/198	86 / 39	ST0720300R3C	
4" (100mm)	17.25/438	19.88/505	10.69/272	10.69/272	29/737	1/2 (15)	10.00/254	3.88/99	9.63/245	130 / 59	ST0720400R3C	
6" (150mm)	19.63/499	28.50/724	10.69/272	18.31/465	46/1168	1/2 (15)	10.00/254	5.00/127	10.81/275	235 / 107	ST0720600R3C	

DRAWN BY FC		 HYDRAULICS GROUP FILTRATION DIVISION GALESBURG, MICHIGAN, USA • TINTON FALLS, NEW JERSEY, USA	
SCALE AS DRAWN			
RESTRICTION RESTRICTED		TITLE MODEL 72 SIMPLEX STRAINER 150# RAISED FACE FLANGE, SIZES 2" THRU 6" CARBON STEEL	
SHEET 1 OF 1		DATE 12/16/93	SIZE A
PROJECTION THIRD ANGLE 		DWG FILENAME SD072022	REV G
<small>EATON CORPORATION - CONFIDENTIAL AND PROPRIETARY NOTICE TO PERSONS RECEIVING THIS DRAWING AND/OR TECHNICAL INFORMATION THIS DOCUMENT, INCLUDING THE DRAWING AND INFORMATION CONTAINED THEREON IS CONFIDENTIAL AND IS THE EXCLUSIVE PROPERTY OF EATON AT ANY TIME. BY TAKING THE POSSESSION OF THIS DOCUMENT THE RECIPIENT ACKNOWLEDGES AND AGREES THAT THIS DOCUMENT CANNOT BE USED IN ANY MANNER ADVERSE TO THE INTEREST OF EATON AND THAT NO PORTION OF THIS DRAWING MAY BE COPIED OR OTHERWISE REPRODUCED WITHOUT THE PRIOR WRITTEN CONSENT OF EATON, IN THE CASE OF CONFLICTING CONTRACTUAL PROVISIONS, THIS NOTICE SHALL GOVERN THE STATUS OF THIS DOCUMENT. 2015 EATON CORPORATION - ALL RIGHTS RESERVED.</small>			
CUSTOMER INFO	PART NO. SEE TABLE		