



1/2" - 3"
PVC/EPDM

BFAS Series Bulkhead Fittings – Standard Flange

1/2" TO 4" PVC, CPVC, PP AND GFPP

KEY FEATURES

- PVC, CPVC, PP and GFPP
- FPM or EPDM Gasket Seal
- Left-Hand Threads
- Buttress Threads Protect Against Blowout
- Hex Body for One-Person Installation
- Rated at 150 PSI

OPTIONS

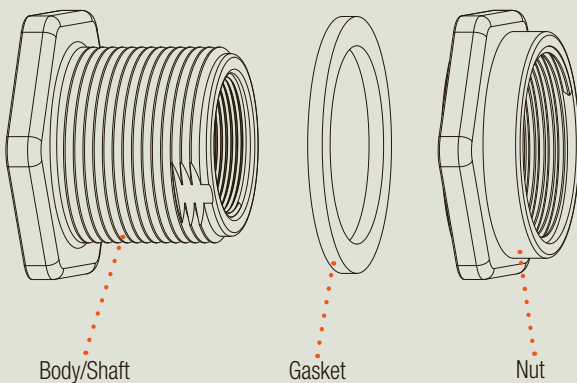
- Vacuum Breaker
- Ready Flanges (for Making Flanged Connections to Tanks)
- Tank-Tite™ Compression Fitting

MATERIALS

- PVC Cell Class 12454 per ASTM D1784
- CPVC Cell Class 23447 per ASTM D1784
- PP per ASTM D4101
- GFPP Cell Class 85580 per ASTM D4101
- Heavy-Duty FPM and EPDM Gaskets

TECHNICAL INFORMATION

EXPLODED VIEW



SELECTION CHART

| SIZE | MATERIAL | END CONNECTION | GASKETS | PRESSURE RATING |
|-----------------------------|----------|------------------------------------|-------------|-----------------------------|
| 1/2" – 4" (DN15 – DN100) | PVC | Socket x Thread Thread x Thread | FPM or EPDM | 150 PSI @ 70°F Non-Shock |
| | CPVC | Socket x Thread | | |
| | PP | Thread x Thread | | |
| | GFPP | Thread x Thread | | |

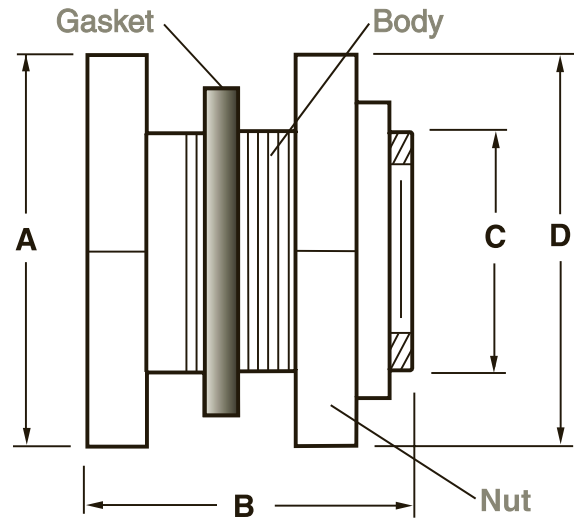
BFAS Series Bulkhead Fittings – Standard Flange

1/2" TO 4" PVC, CPVC, PP AND GFPP

TECHNICAL INFORMATION, CONTINUED

MINIMUM INSIDE RADII OF TANKS FOR BULKHEAD FITTING INSTALLATION

| SIZE in/DN | Min. Rigid Tank Radius | Min. Flexible Tank Radius | Max. Wall Thickness |
|---------------|---------------------------|------------------------------|------------------------|
| 1/2/15 | 7.25" | 6.50" | 1.08" |
| 3/4/20 | 10.00" | 9.25" | 1.08" |
| 1/25 | 11.75" | 10.70" | 1.08" |
| 1-1/4/32 | 16.25" | 12.19" | 1.00" |
| 1-1/2/40 | 16.25" | 12.19" | 1.00" |
| 2/50 | 25.75" | 19.38" | 1.00" |
| 3/80 | 30.00" | 25.25" | 1.02" |
| 4/100 | 60.00" | 55.00" | 2.45" |



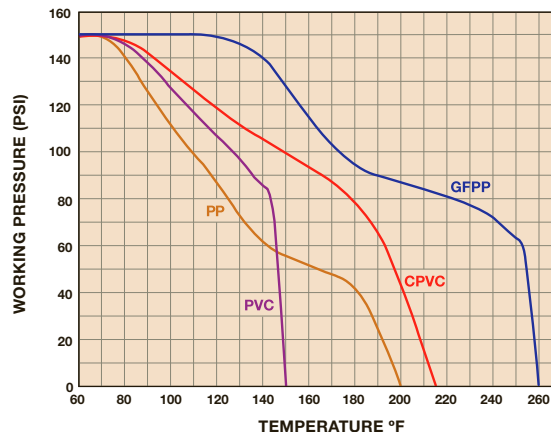
DIMENSIONS

| SIZE in/DN | A in/mm ACROSS FLATS | B in/mm | C in/mm INSTALLATION HOLE SIZE | D in/mm ACROSS FLATS | E in/mm GASKET THICKNESS |
|---------------|----------------------------|------------|--------------------------------------|----------------------------|--------------------------------|
| 1/2/15 | 2.00/51 | 2.75/70 | 1.38/35 | 2.00/51 | .19/5 |
| 3/4/20 | 2.38/60 | 2.88/73 | 1.63/41 | 2.38/60 | .19/5 |
| 1/25 | 2.56/65 | 2.88/73 | 1.88/48 | 2.56/65 | .19/5 |
| 1-1/4/32 | 3.25/83 | 3.00/76 | 2.63/67 | 3.25/83 | .19/5 |
| 1-1/2/40 | 3.25/83 | 3.00/76 | 2.63/67 | 3.25/83 | .19/5 |
| 2/50 | 4.38/111 | 3.25/83 | 3.25/83 | 4.38/111 | .25/6 |
| 3/80 | 6.00/152 | 3.63/92 | 4.50/114 | 6.00/152 | .25/6 |
| 4/100 | 8.75/222 | 4.75/121 | 5.75/146 | 8.75/222 | .25/6 |

Dimensions are subject to change without notice – consult factory for installation information

Dimensions A and D are Across Flats. 1/2" to 2" Hexagon Flats, 3" and 4" Octagon Flats

OPERATING TEMPERATURE/PRESSURE



Hayward is a registered trademark and Tank-Tite is a trademark of Hayward Industries, Inc.
© 2015 Hayward Industries, Inc.

Contact Hayward Flow Control with questions: **USA:** 1-888-429-4635 • Fax: 1-888-778-8410 • One Hayward Industrial Drive • Clemmons, NC 27012 USA
Canada: 1.888.238.7665 • Fax: 1.905.829.3636 • 2880 Plymouth Drive • Oakville, ON L6H 5R4 Canada • Email: hflowcanada@haywardnet.com
Visit us at: www.haywardflowcontrol.com • E-mail: hflow@haywardnet.com