



GG Series Gauge Guards

1/4" x 1/4" PVC, CPVC AND PP AND
1/4" x 1/2" PVC, CPVC AND PVDF

KEY FEATURES

- PVC, CPVC, PP and PVDF
- Threaded NPT Connections
- FPM Membrane
- All Thermoplastic, No Rust or Corrosion
- No Metal Fasteners
- Rugged, Low Profile, Compact Design
- Work in any Position
- Large Volume Gauge Guard Available
- Dual Faced PSI and kg/cm²

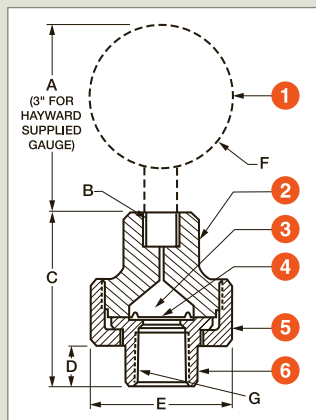
OPTIONS

- 0 to 30 PSI Gauge
- 0 to 60 PSI Gauge
- 0 to 160 PSI Gauge
- 0 to 160 PSI SS Liquid Filled Gauge and Liquid Damped

TECHNICAL INFORMATION

PARTS LIST

1. Gauge/Instrument
2. Body
3. Oil-Filled Upper Chamber with Installed Gauge
4. FPM Membrane
5. Union Nut
6. End Connector



SELECTION CHART

SIZE	MATERIAL	END CONNECTION	SEALS	PRESSURE RATING
1/4" x 1/4" (DN8 - DN8)	PVC, CPVC or PP	Threaded	FPM	150 PSI @ 70°F Non-Shock
1/4" x 1/2" (DN8 - DN15)	PVC, CPVC or PVDF			

DIMENSIONS

SIZE in/DN	MATERIAL	A	B in/mm	C in/mm	D in/mm	E in/mm	F in/mm	G
1/4 x 1/4/8 x 8	PVC, CPVC and PP	3.0/76	1/4" NPT	2.69/68	.61/15	2.25/57	2.3/58	1/4" NPT
1/4 x 1/2/8 x 15	PVC and CPVC	3.0/76	1/4" NPT	2.69/68	.61/15	2.25/57	2.3/58	1/2" NPT
1/4 x 1/2/8 x 15	PVDF	3.0/76	1/4" NPT	2.25/57	.35/9	2.0/51	2.0/51	1/2" NPT

Dimensions are subject to change without notice – consult factory for installation information



Hayward is a registered trademark
of Hayward Industries, Inc.
© 2015 Hayward Industries, Inc.

Contact Hayward Flow Control with questions: **USA:** 1-888-429-4635 • Fax: 1-888-778-8410 • One Hayward Industrial Drive • Clemmons, NC 27012 USA
Canada: 1.888.238.7665 • Fax: 1.905.829.3636 • 2880 Plymouth Drive • Oakville, ON L6H 5R4 Canada • Email: hflowcanada@haywardnet.com
Visit us at: www.haywardflowcontrol.com • E-mail: hflow@haywardnet.com